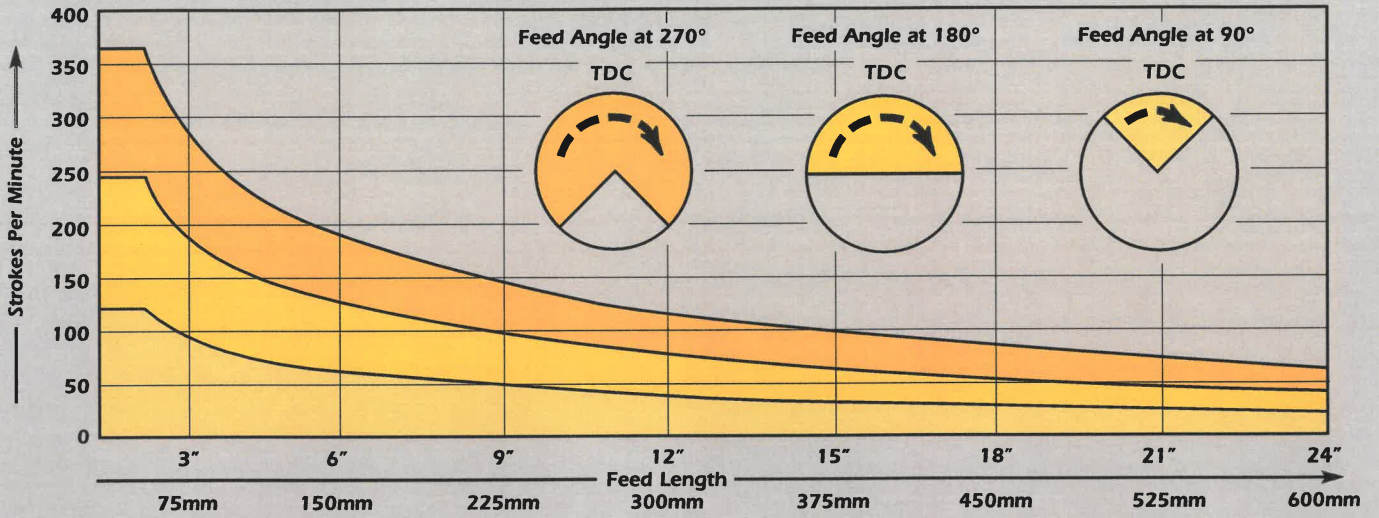


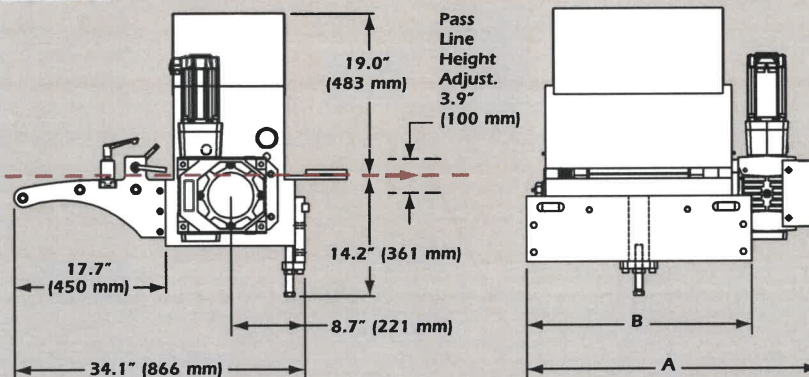
# MAGNUM SPECIFICATIONS

## SAFE WORKING SPEEDS AT VARYING LENGTHS



Performance data shown is for estimating purposes only. Production rates and capacities are dependent upon feed length and material. Consult P/A for specific application needs.

## DIMENSIONS



DIMENSIONS - inches			DIMENSIONS - mm		
Model	A	B	Model	A	B
SRF-M12	34.3	13.2	SRF-M12	871	335
SRF-M18	40.3	16.2	SRF-M18	1024	411
SRF-M24	46.3	19.2	SRF-M24	1176	488
SRF-M32	54.3	23.2	SRF-M32	1379	589
SRF-M36	59.3	25.2	SRF-M36	1481	640
SRF-M48	70.3	31.2	SRF-M48	1786	792

Note: SRFX Models have same mechanical dimensions as SRF.

## SPECIFICATIONS - USA

Model	Feed Roll Dia. in.	Max Roll Opening in.	Full Capacity		Pulling Power		AC Power Input	
			Thickness in.	at Width in.	Peak lbs.	Cont. lbs.	V/Ph/Hz	kW
SRF-M12	4.72	.315	.200	12	1080	562	230/1/60	3
SRF-M18	4.72	.315	.190	18	1080	562	230/1/60	3
SRF-M24	4.72	.315	.165	24	1080	562	230/1/60	3
SRF-M32	4.72	.315	.136	32	1080	562	230/1/60	3
SRF-M36	4.72	.315	.125	36	1080	562	230/1/60	3
SRF-M48	4.72	.315	.095	48	1080	562	230/1/60	3
SRFX-M12	4.72	.400	.315	12	1665	866	230/1/60	3
SRFX-M18	4.72	.400	.290	18	1665	866	230/1/60	3
SRFX-M24	4.72	.400	.255	24	1665	866	230/1/60	3
SRFX-M32	4.72	.400	.215	32	1665	866	230/1/60	3
SRFX-M36	4.72	.400	.195	36	1665	866	230/1/60	3
SRFX-M48	4.72	.400	.155	48	1665	866	230/1/60	3

## SPECIFICATIONS - METRIC

Model	Feed Roll Dia. mm	Max Roll Opening mm	Full Capacity		Pulling Power		AC Power Input	
			Thickness mm	at Width mm	Peak N	Cont. N	V/Ph/Hz	kW
SRF-M12	120	8,00	5,08	305	4800	2500	230/1/50	3
SRF-M18	120	8,00	4,83	457	4800	2500	230/1/50	3
SRF-M24	120	8,00	4,19	609	4800	2500	230/1/50	3
SRF-M32	120	8,00	3,45	812	4800	2500	230/1/50	3
SRF-M36	120	8,00	3,18	914	4800	2500	230/1/50	3
SRF-M48	120	8,00	2,41	1219	4800	2500	230/1/50	3
SRFX-M12	120	10,16	8,00	305	7415	3855	230/1/50	3
SRFX-M18	120	10,16	7,37	457	7415	3855	230/1/50	3
SRFX-M24	120	10,16	6,48	609	7415	3855	230/1/50	3
SRFX-M32	120	10,16	5,46	812	7415	3855	230/1/50	3
SRFX-M36	120	10,16	4,95	914	7415	3855	230/1/50	3
SRFX-M48	120	10,16	3,94	1219	7415	3855	230/1/50	3