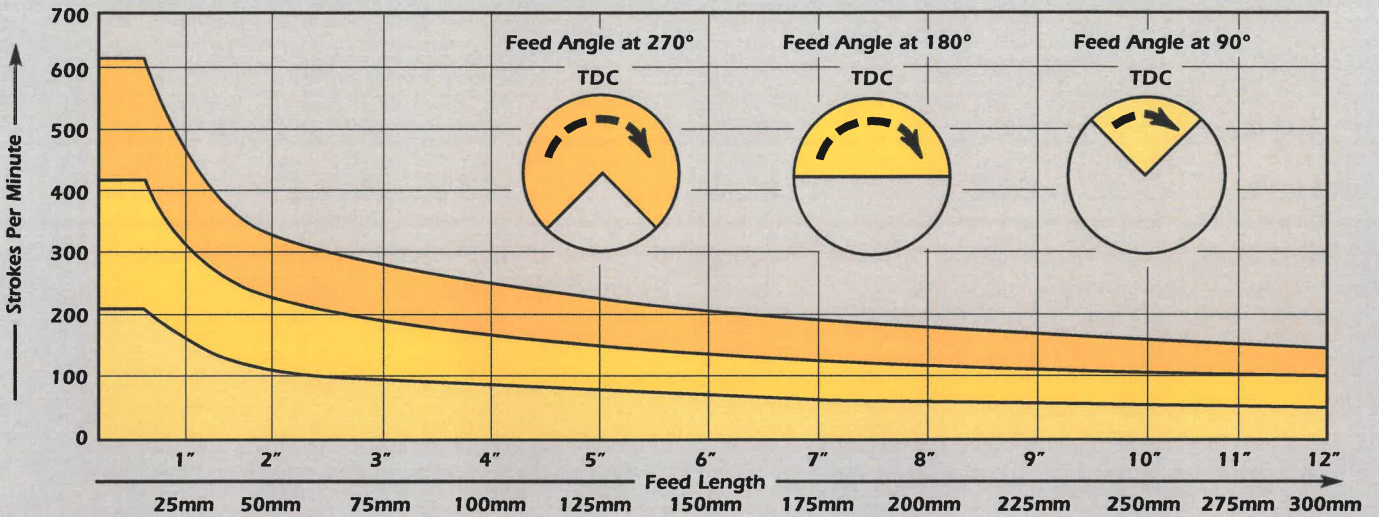


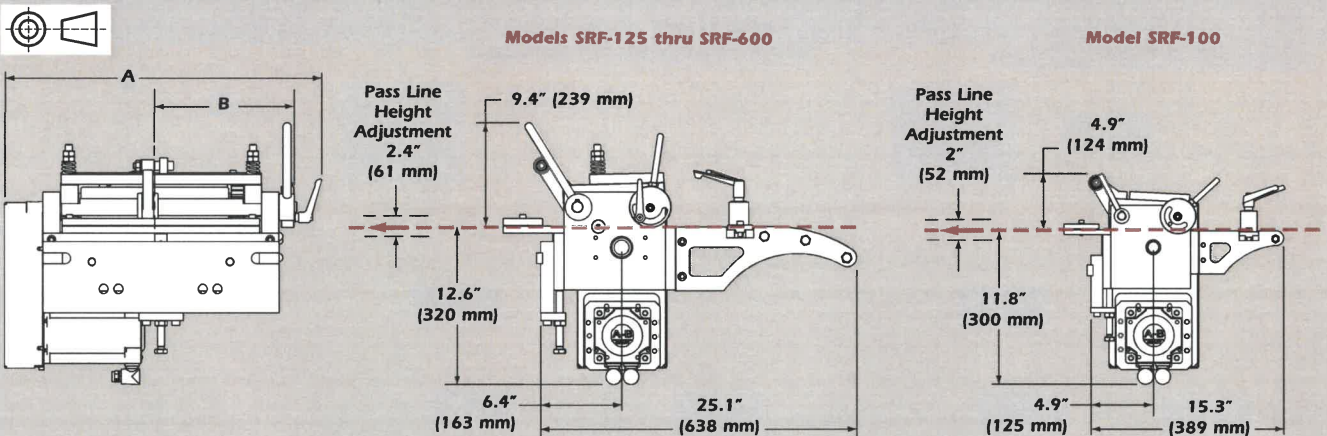
EDGE SPECIFICATIONS

SAFE WORKING SPEEDS AT VARYING LENGTHS



Performance data shown is for estimating purposes only. Production rates and capacities are dependent upon feed length and material. Consult P/A for specific application needs.

DIMENSIONS



DIMENSIONS - inches		
Model	A	B
SRF-100	13.6	6.1
SRF-125	20	8.0
SRF-200	23	9.5
SRF-300	27	11.5
SRF-400	31	13.5
SRF-500	35	15.5
SRF-600	39	17.5

DIMENSIONS - mm		
Model	A	B
SRF-100	345	155
SRF-125	508	203
SRF-200	584	241
SRF-300	686	292
SRF-400	787	343
SRF-500	889	394
SRF-600	991	445

SPECIFICATIONS - USA								
Model	Feed Roll Dia. in.	Max Roll Opening in.	Full Capacity		Pulling Power		AC Power Input V/Ph/Hz	kW
			Thickness in.	at Width in.	Peak lbs.	Cont. lbs.		
SRF-100	2.90	.098	.080	3.94	310	110	115/1/60	2
SRF-125	3.55	.138	.100	5.11	254	90	115/1/60	2
SRF-200	3.55	.138	.080	7.87	254	90	115/1/60	2
SRF-300	3.55	.138	.080	11.81	394	147	115/1/60	2
SRF-400	3.55	.138	.060	15.74	394	147	115/1/60	2
SRF-500	3.55	.138	.050	19.68	394	147	115/1/60	2
SRF-600	3.55	.138	.040	23.62	394	147	115/1/60	2

SPECIFICATIONS - METRIC								
Model	Feed Roll Dia. mm	Max Roll Opening mm	Full Capacity		Pulling Power		AC Power Input V/Ph/Hz	kW
			Thickness mm	at Width mm	Peak N	Cont. N		
SRF-100	73	2,50	2,03	100	1380	490	230/1/50	2
SRF-125	90	3,50	2,54	130	1130	401	230/1/50	2
SRF-200	90	3,50	2,03	200	1130	401	230/1/50	2
SRF-300	90	3,50	2,03	300	1755	654	230/1/50	2
SRF-400	90	3,50	1,52	400	1755	654	230/1/50	2
SRF-500	90	3,50	1,27	500	1755	654	230/1/50	2
SRF-600	90	3,50	1,02	600	1755	654	230/1/50	2