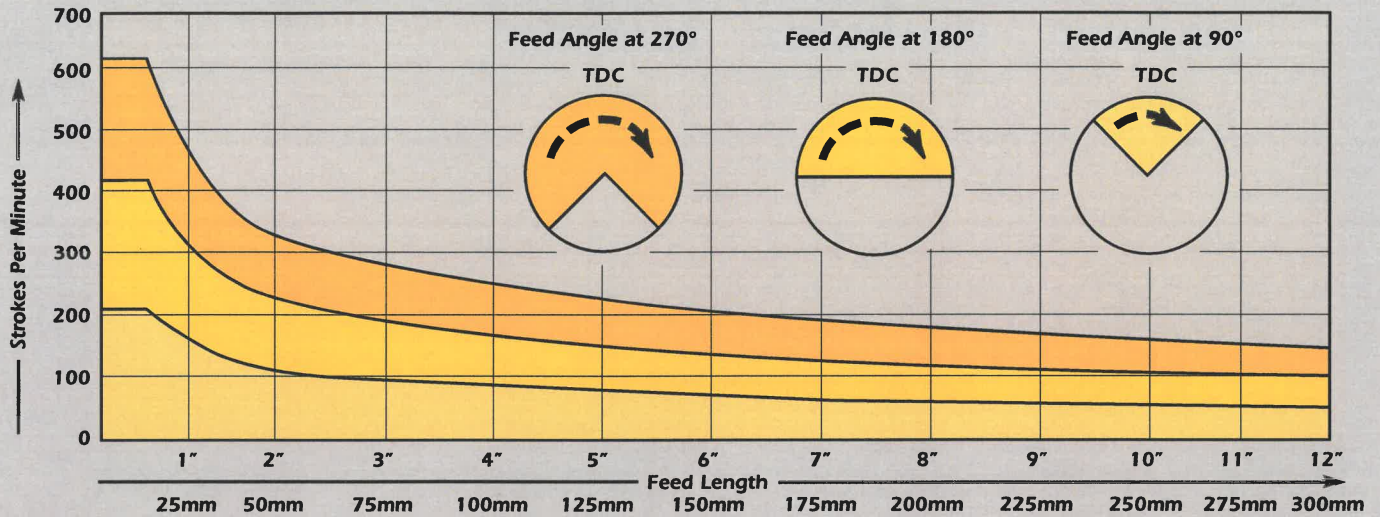


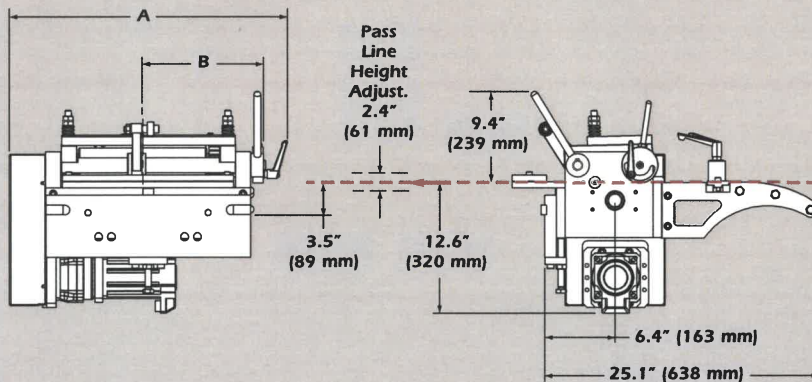
# ADVANTAGE SPECIFICATIONS

## SAFE WORKING SPEEDS AT VARYING LENGTHS



Performance data shown is for estimating purposes only. Production rates and capacities are dependent upon feed length and material. Consult P/A for specific application needs.

## DIMENSIONS



DIMENSIONS - in.			DIMENSIONS - mm		
Model	A	B	Model	A	B
SRF-5	20	8.0	SRF-5	508	203
SRF-8	23	9.5	SRF-8	584	241
SRF-12	27	11.5	SRF-12	686	292
SRF-16	31	13.5	SRF-16	787	343
SRF-20	35	15.5	SRF-20	889	394
SRF-24	39	17.5	SRF-24	991	445
SRF-28	43	19.5	SRF-28	1092	495
SRF-32	47	21.5	SRF-32	1194	546
SRF-36	51	23.5	SRF-36	1295	597

Note: SRFX Models have same mechanical dimensions as SRF.

## SPECIFICATIONS - USA

Model	Feed Roll Dia. in.	Max Roll Opening in.	Full Capacity		Pulling Power		AC Power Input	
			Thickness in.	at Width in.	Peak lbs.	Cont. lbs.	V/Ph/Hz	kW
SRF-5	3.55	.138	.138	5.11	584	201	230/1/60	2
SRF-8	3.55	.138	.138	7.87	584	201	230/1/60	2
SRF-12	3.55	.138	.138	11.81	584	201	230/1/60	2
SRF-16	3.55	.138	.120	15.74	584	201	230/1/60	2
SRF-20	3.55	.138	.105	19.68	584	201	230/1/60	2
SRF-24	3.55	.138	.090	23.62	584	201	230/1/60	2
SRF-28	3.55	.138	.105	27.55	934	322	230/1/60	2
SRF-32	3.55	.138	.090	31.49	934	322	230/1/60	2
SRF-36	3.55	.138	.075	36.10	934	322	230/1/60	2
SRFX-5	3.55	.188	.188	5.11	934	322	230/1/60	2
SRFX-8	3.55	.188	.180	7.87	934	322	230/1/60	2
SRFX-12	3.55	.188	.165	11.81	934	322	230/1/60	2
SRFX-16	3.55	.188	.150	15.74	934	322	230/1/60	2
SRFX-20	3.55	.188	.135	19.68	934	322	230/1/60	2
SRFX-24	3.55	.188	.120	23.62	934	322	230/1/60	2

## SPECIFICATIONS - METRIC

Model	Feed Roll Dia. mm	Max Roll Opening mm	Full Capacity		Pulling Power		AC Power Input	
			Thickness mm	at Width mm	Peak N	Cont. N	V/Ph/Hz	kW
SRF-5	90	3,50	3,50	130	2600	894	230/1/50	2
SRF-8	90	3,50	3,50	200	2600	894	230/1/50	2
SRF-12	90	3,50	3,50	300	2600	894	230/1/50	2
SRF-16	90	3,50	3,05	400	2600	894	230/1/50	2
SRF-20	90	3,50	2,67	500	2600	894	230/1/50	2
SRF-24	90	3,50	2,29	600	2600	894	230/1/50	2
SRF-28	90	3,50	2,67	700	4155	1435	230/1/50	2
SRF-32	90	3,50	2,29	800	4155	1435	230/1/50	2
SRF-36	90	3,50	1,91	915	4155	1435	230/1/50	2
SRFX-5	90	4,77	4,78	130	4155	1435	230/1/50	2
SRFX-8	90	4,77	4,57	200	4155	1435	230/1/50	2
SRFX-12	90	4,77	4,19	300	4155	1435	230/1/50	2
SRFX-16	90	4,77	3,81	400	4155	1435	230/1/50	2
SRFX-20	90	4,77	3,43	500	4155	1435	230/1/50	2
SRFX-24	90	4,77	3,05	600	4155	1435	230/1/50	2